

Boiler insert CH 700 C

Reference: Boiler insert CH 700 C

Classification according to: EN 13229: 2001 / A2: 2004

- Nominal power: 19 kW
- Thermal power transmitted to water: 15 kW
- Thermal power transmitted by radiation: 4 kW
- Rate of CO to 13% of O₂: 0.35%
- Efficiency: 74.5%
- Average flue gas temperature : 268.5°C
- Rate of CO₂: 8.8%
- Functioning: closed door
- Classification: intermittent
- Fuel type: only dry wood (15 to 20% Hu)
- Automatic and mechanical regulation
- Water capacity of the product: 17 litres
- At work pressure: 1 bar
- Maximum pressure: 3 bars
- Weight of the appliance: 154 kg
- Connecting diameter: 200 mm
- Nominal pressure: 12 Pa
- Maximum** fuel load: 14 kg
- Fuel load: 7 kg
- Consumption: 1.94 g/s

Boiler insert CH 700 C

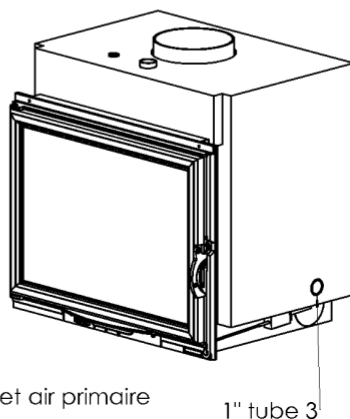
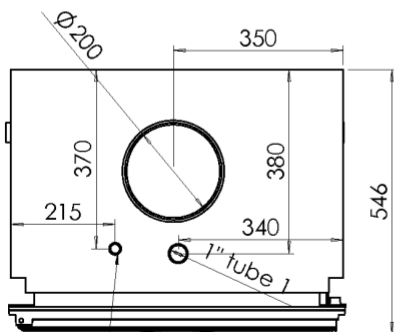
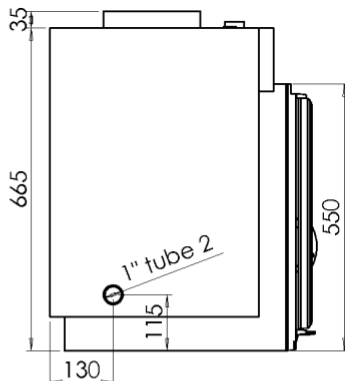
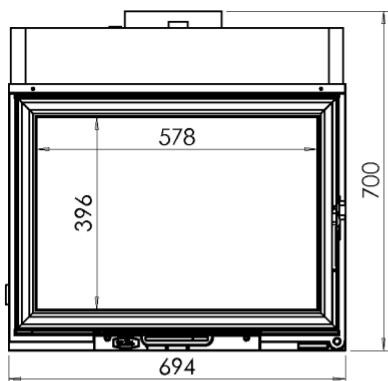


07

5 year guarantee*

* See general instruction booklet

All local and national legislation, as well as European norms, should be respected when using the appliance.



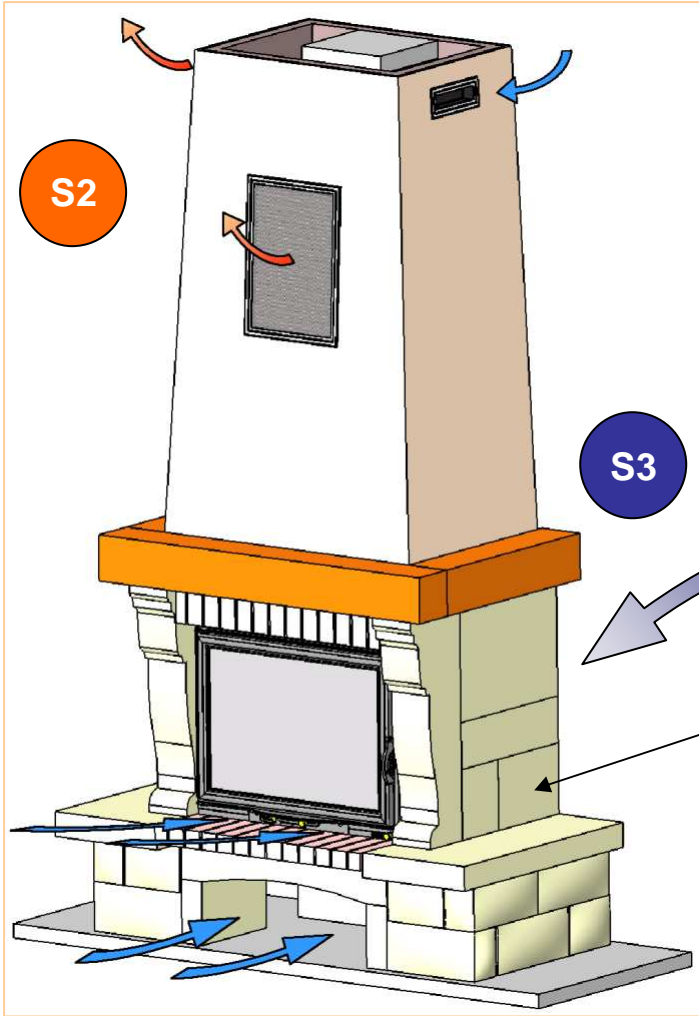
Tube 1: heating body water exit
Tube 2: open expansion tank return
Tube 3: boiler return

emplacement du bulbe de volet air primaire

1" tube 3

ADDITIONAL INFORMATION

S2: outlet section of convection air: 500 cm² mini



S3: inlet section of combustion air: 200 cm² mini

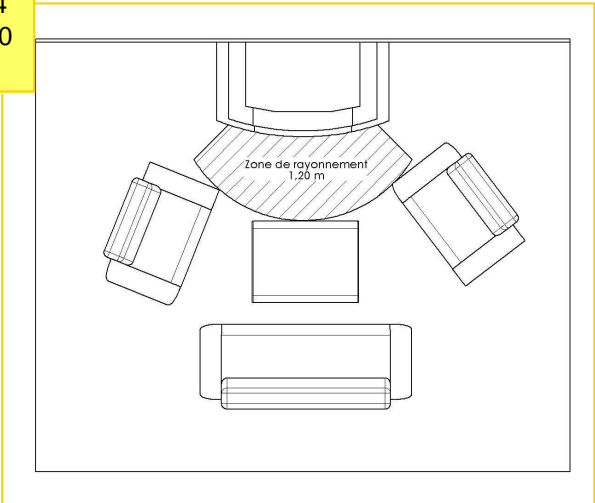
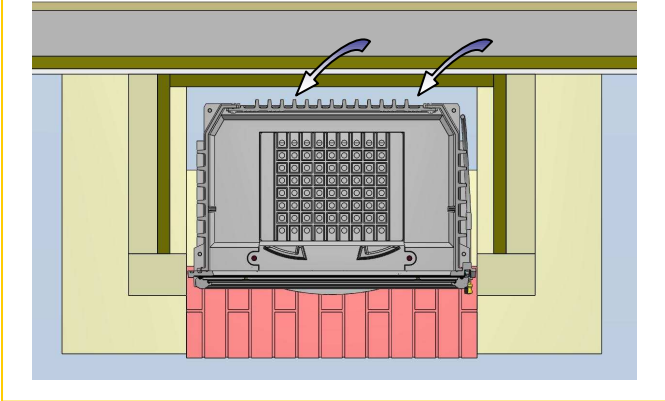
Compulsory free access on the right of the fireplace for possible intervention on the combustion air regulation system (removable stone or BS320 grid)

S1

S1: inlet section of convection air: 600 cm² mini

Distance to adjacent combustible materials:

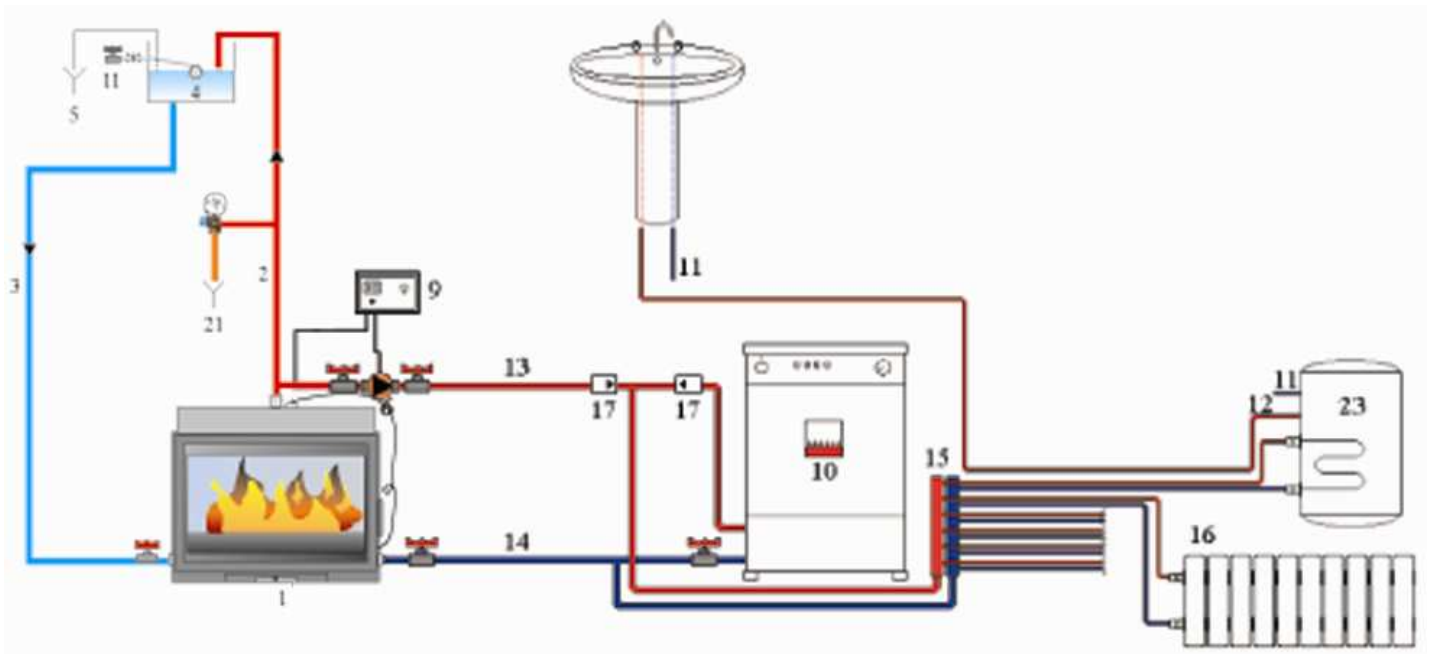
7 cm of which 3 cm with an isolation of 0,7 m².K/W at 50°C (or of 0,4 m².K/W at 200°C), with a classification A1 or at least M0 or A2-s1,d0 between the back of the appliance and the backing wall.



Cf: general installation and operating instructions

INSTRUCTIONS BOILER INSERT CH 700 C

- | | |
|--|---|
| 01 . Wood boiler insert | 12 . Domestic hot water |
| 02 . Air drain | 13 . Network departure |
| 03 . Cold water circuit recharge | 14 . Network start |
| 04 . Expansion tank | 15 . Collector |
| 05 . Expansion tank evacuation | 16 . Radiator |
| 06 . Circulator | 17 . Anti-return valve |
| 07 . Plate heat exchanger for domestic hot water | 18 . Flow controller |
| 08 . Plate heat exchanger for boiler insert | 21 . Safety valve |
| 09 . Power unit | 22 . Motorized electromagnetic 3 ways valve |
| 10 . Other boiler | 23 . Hot water tank |
| 11 . Cold water network | |



Contractual guarantee (see boiler use instructions)

The guarantee period is 5 years, for all cast-iron parts manufactured by ourselves with the exception of wear parts, which is of 2 years, as from the date of delivery by the installer or the sales outlet.

It applies throughout this period to all material or manufacturing defects. We shall only undertake to replace, free of charge, parts recognised as defective after verification by ourselves. Depending on the case, if the replacement of the spare parts reveals to be too costly, we can decide to replace the all appliance.